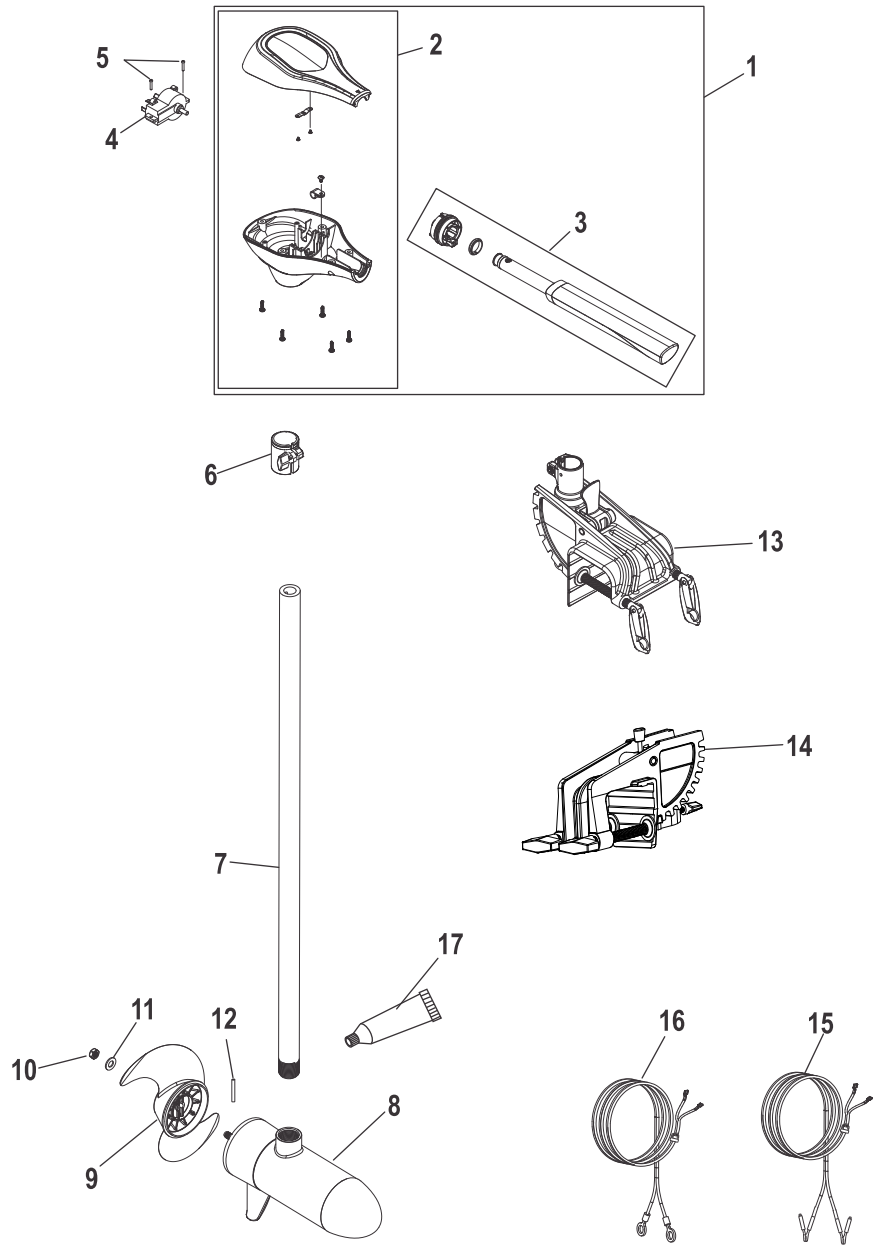


# Complete Trolling Motor 5-Speed, Design-II, Black Column



60851

## Complete Trolling Motor 5-Speed, Design-II, Black Column

Ref #	Part Class	Part Number	Description	Comments	Qty	Note
1		<del>8M0105535</del>	<del>HEAD AND HANDLE ASSEMBLY</del> Freshwater (Black) 1 Inch Column		1	
1		<del>8M0105541</del>	<del>HEAD AND HANDLE ASSEMBLY</del> Freshwater (Black) 1.25 Inch Column		1	
2		8M0105534	HEAD ASSEMBLY Freshwater (Black) 1 Inch Column	¥ 4500-	1	
2		8M0105540	HEAD ASSEMBLY Freshwater (Black) 1.25 Inch Column	¥ 4500-	1	
3		8M0105538	HANDLE ASSEMBLY	¥ 4500-	1	
4		8M4002637	SWITCH 5 Speed	¥ 3000-	1	
5		<del>NSS</del>	<del>NOT SOLD SEPARATE SCREW</del>		2	
6		8M0058718	COLLAR, Depth 1.00 Inch	¥ 1000-	1	
6		8M4002640	COLLAR, Depth 1.25 inch	¥ 1000-	1	
7		<del>NSS</del>	<del>NOT SOLD SEPARATE COLUMN</del> 30 INCH Aluminum		1	
7		<del>NSS</del>	<del>NOT SOLD SEPARATE COLUMN</del> 36 INCH Aluminum		1	
7		8M0096829	COLUMN 36 INCH, Composite	¥ 6800-	1	
8		<del>8M4002640</del>	<del>LOWER UNIT ASSEMBLY</del> Freshwater, Black, 30 Pound Thrust		1	
8		<del>8M4002644</del>	<del>LOWER UNIT ASSEMBLY</del> Freshwater, Black, 40 Pound Thrust		1	
8		<del>8M4002645</del>	<del>LOWER UNIT ASSEMBLY</del> Freshwater, Black, 45 Pound Thrust		1	
8		<del>8M4002646</del>	<del>LOWER UNIT ASSEMBLY</del> Freshwater, Black, 55 Pound Thrust		1	
9		MGA0476B	PROPELLER KIT 2 blade, 3 inch 30 lb. Models	¥ 5720-	1	
9		8M4002641	PROPELLER KIT 3 Blade with Wrench 40, 45, 55 lb. Models	¥ 4500-	1	
10		8M0105503	HARDWARE KIT, PROPELLOR	¥ 700-	1	
11		<del>NSS</del>	<del>NOT SOLD SEPARATE WASHER</del>		1	
12	17	MBR10202T	PIN Prop Drive (.156 x 1.00)	¥ 330-	1	
13		8M4002567	MOUNT ASSEMBLY Complete, 09 Transom	¥ 18000-	1	
14		8M0059805	MOUNT ASSEMBLY Complete, 03 Transom	¥ 10000-	1	
15		8M0058715	CABLE ASSEMBLY 30 lb. Models		1	
16		8M0058717	CABLE ASSEMBLY 40, 45, 55 lb. Models	¥ 3000-	1	
17	<del>02</del>	<del>8M8110020</del>	<del>HYGOL EPOXY ADHESIVE 50ml</del>		1	

Complete Trolling Motor 5-Speed, Design-II, Black Column