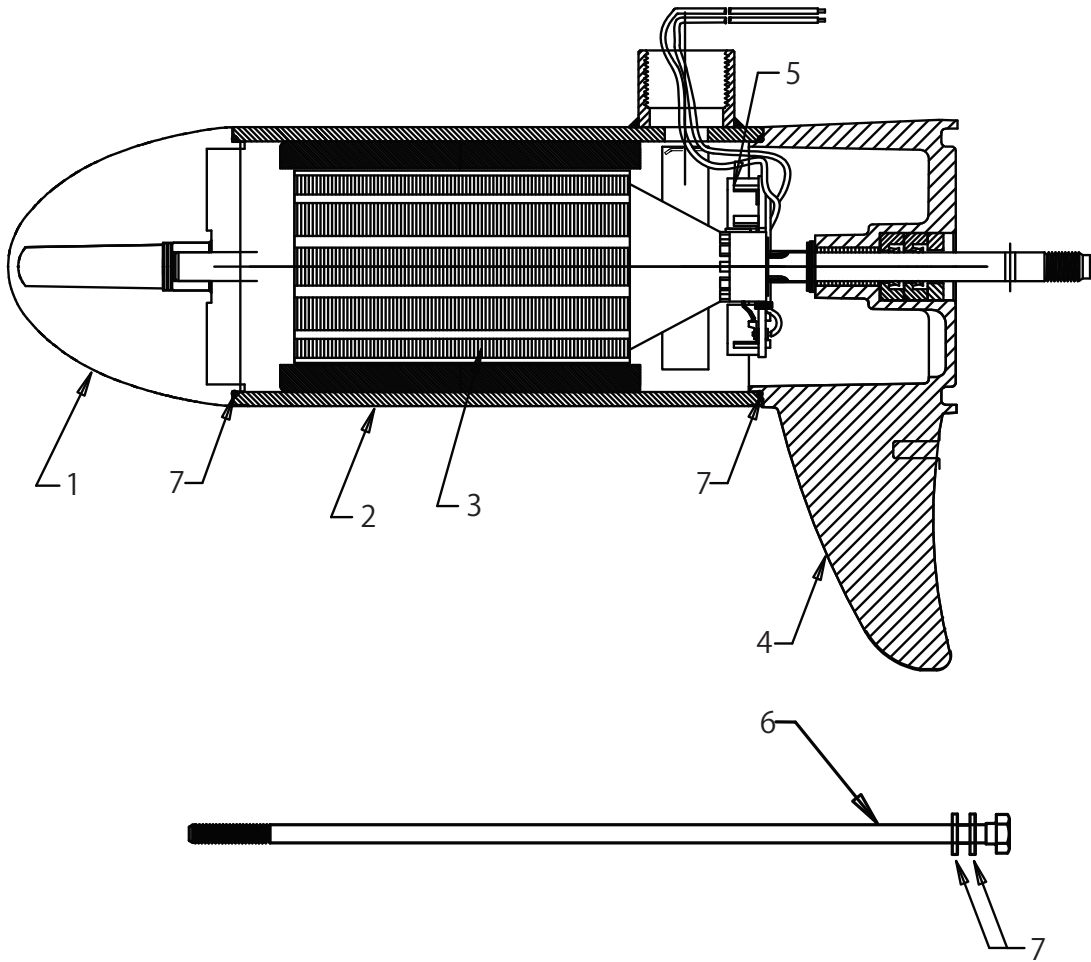


Lower Unit Assembly (FW80 - Variable)(8M0096755)



46417

Cat.# 90-8M0127096

Lower Unit Assembly (FW80 - Variable)(8M0096755)

| Ref # | Part Class | Part Number | Description | Comments | Qty | Note |
|-------|---------------|----------------------|--|--------------|-----|---------|
| - | | 8M0096755 | LOWER UNIT ASSEMBLY 80#, Fresh Water | | 1 | |
| 1 | | 8M4002705 | NOSE CONE ASSEMBLY With Bushing and Thrust Washer | | 1 | ¥4300- |
| 2 | | 8M4002665 | HOUSING ASSEMBLY With Magnet and Wire Retainer | | 1 | ¥15000- |
| 3 | | 8M4002654 | ARMATURE KIT With Nylatron Washer | | 1 | ¥24000- |
| 4 | | 8M4002677 | COMM CAP ASSEMBLY With Seals and Bushing | | 1 | ¥7500- |
| 5 | | 8M4002711 | BRUSH CARD KIT With Springs and Screws | | 1 | ¥4500- |
| 6 | 10 | MR218115 | THRU BOLT ASSEMBLY | 8M0101594へ変更 | 1 | ¥2000- |
| 7 | | 8M4002715 | SEAL KIT - Mag Housing and Thru Bolt | | 1 | |

Lower Unit Assembly (FW80 - Variable)(8M0096755)