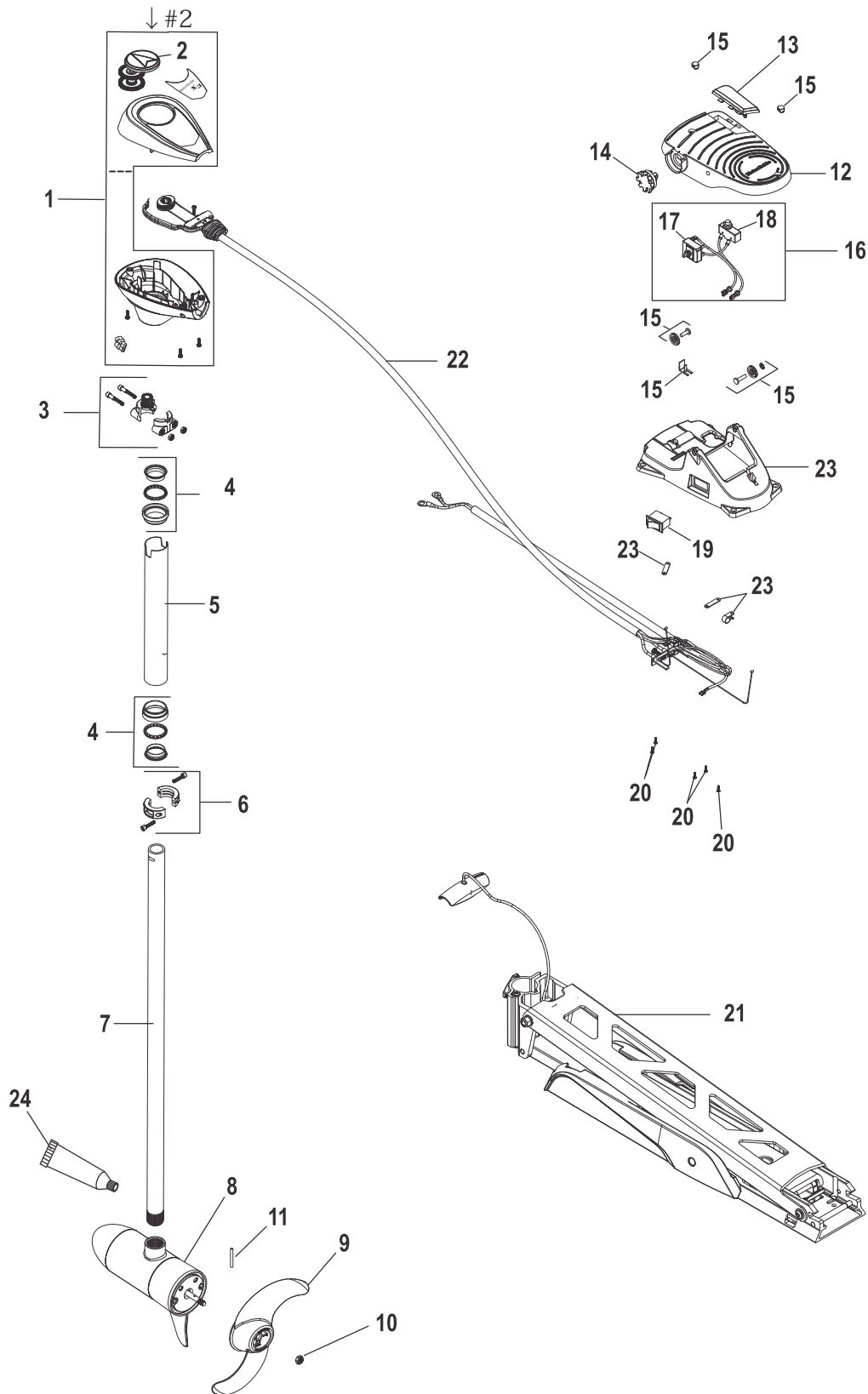


Complete Trolling Motor Foot Operated, 5 Speed



60994

Complete Trolling Motor Foot Operated, 5 Speed

Complete Trolling Motor Foot Operated, 5 Speed

Ref #	Part Class	Part Number	Description	Comments	Qty	Note
1		8M0089410	HEAD ASSEMBLY With Decals		1	¥15500
2		8M0089409	TOP COVER INDICATOR KIT		1	¥5500
3		8M0089413	PINION ASSEMBLY		1	¥800
4		8M0089414	BEARING ASSEMBLY		2	¥15000
5		8M0089416	TUBE		1	¥5000
5		8M0089415	TUBE 13 inch		1	¥4500
6		8M0089412	CLAMP ASSEMBLY		1	¥2000
7		8M0096829	COLUMN 36 INCH, Composite		1	¥6800
					1	
7		8M0096832	COLUMN 45 INCH		1	¥7700
					1	
					1	
					1	
9		8M0028330	PROP KIT Black, Safari		1	¥5500
10		8M0105503	HARDWARE KIT, PROPELLOR		1	
11	17	MBR10202T	PIN Prop Drive (.156 x 1.00)		1	¥330
					1	
13		8M0089422	BUTTON KIT		1	¥1000
					1	
15		8M0089417	HARDWARE KIT		1	¥2000
16		8M0089420	HARNESS ASSEMBLY		1	¥6500
17	87	MHF15001T	SWITCH ASSEMBLY Rotary		1	¥3000
18	87	MAP15104T	SWITCH ASSEMBLY Micro		1	¥3000
19		8M0089419	SWITCH		1	¥3000
20		8M0089418	SCREW KIT		1	¥400
21		8M0092073	BOW MOUNT Use With 45 Inch or Shorter Shaft		1	¥55000
					1	
22		8M0089411	HARNESS ASSEMBLY		1	¥15500
					1	
23		8M0089421	PEDEL KIT		1	¥6000
					1	