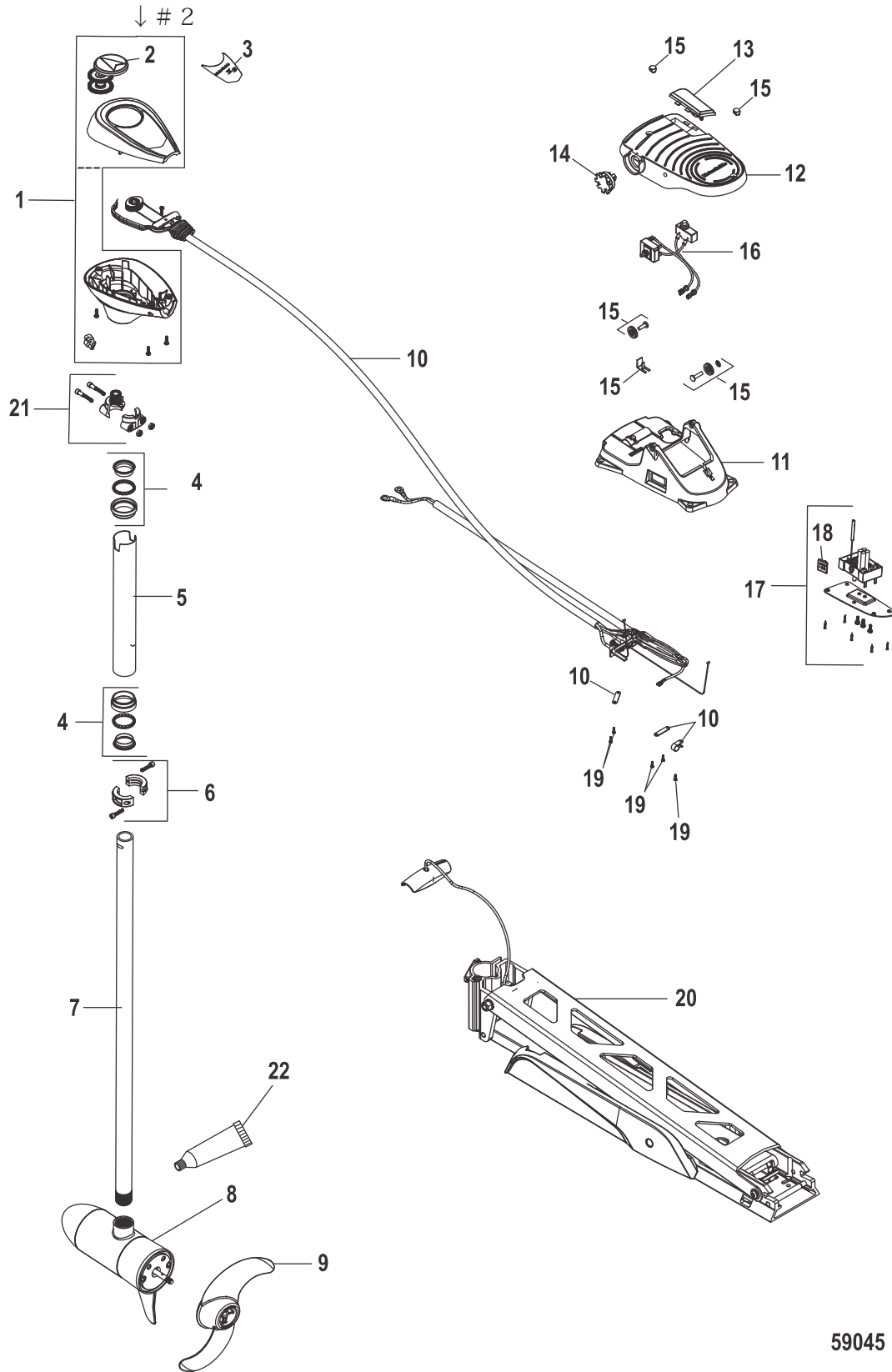


X3-無段階(バリエブル)モデル

Cat.# 90-8M0097741

Complete Trolling Motor Foot Operated, Variable Speed



59045

Complete Trolling Motor Foot Operated, Variable Speed

Complete Trolling Motor Foot Operated, Variable Speed

Ref #	Part Class	Part Number	Description	Comments	Qty	Note
1		8M0103990	HEAD ASSEMBLY		1	¥13500
2		8M0103989	TOP COVER INDICATOR KIT		1	¥11000
3		8M0104031	DECAL SET		1	¥2000
4		8M0089414	BEARING ASSEMBLY		2	¥15000
5		8M0089416	TUBE		1	¥5000
5		8M0089415	TUBE 13 inch		1	¥4500
6		8M0089412	CLAMP ASSEMBLY		1	¥2000
7		8M0096829	COLUMN 36 INCH, Composite		1	¥6800
7		8M0096831	COLUMN 42 INCH		1	
7		8M0096832	COLUMN 45 INCH		1	¥7700
7		8M0096833	COLUMN 50 INCH		1	
8		8M0090740	LOWER UNIT ASSEMBLY 55#, Fresh Water		1	
8		8M0103503	LOWER UNIT ASSEMBLY 70#, Fresh Water		1	
9		8M0028330	PROP KIT Black, Safari		1	¥5500
10		8M0103991	HARNESS ASSEMBLY		1	¥15500
10		8M0122083	CABLE KIT, Steering		1	
11		8M0089421	PEDEL KIT		1	¥6000
12		NCC	NOT SOLD SEPARATE TREAD		1	
13		8M0080422	BUTTON KIT 8M0084872		1	¥1800
14		NCC	NOT SOLD SEPARATE SPEED KNOB		1	
15		8M0089417	HARDWARE KIT		1	¥800
16		8M0103993	HARNESS ASSEMBLY		1	¥5000
17		8M0103995	BOARD ASSEMBLY 12 Volt		1	¥40000
17		8M0103996	BOARD ASSEMBLY 24 Volt	8M0103997に変更	1	¥43000
18		8M0103992	BUTTON		1	
19		8M0089418	SCREW KIT		1	¥400
20		8M0092073	BOW MOUNT Use With 45 Inch or Shorter Shaft		1	¥55000
20		8M0092074	BOW MOUNT FW Use with 46 Inch or Greater Shaft Length		1	
21		8M0089413	PINION ASSEMBLY		1	¥800
22	02	8M0110628	HYGOL EPOXY ADHESIVE 50ml		1	