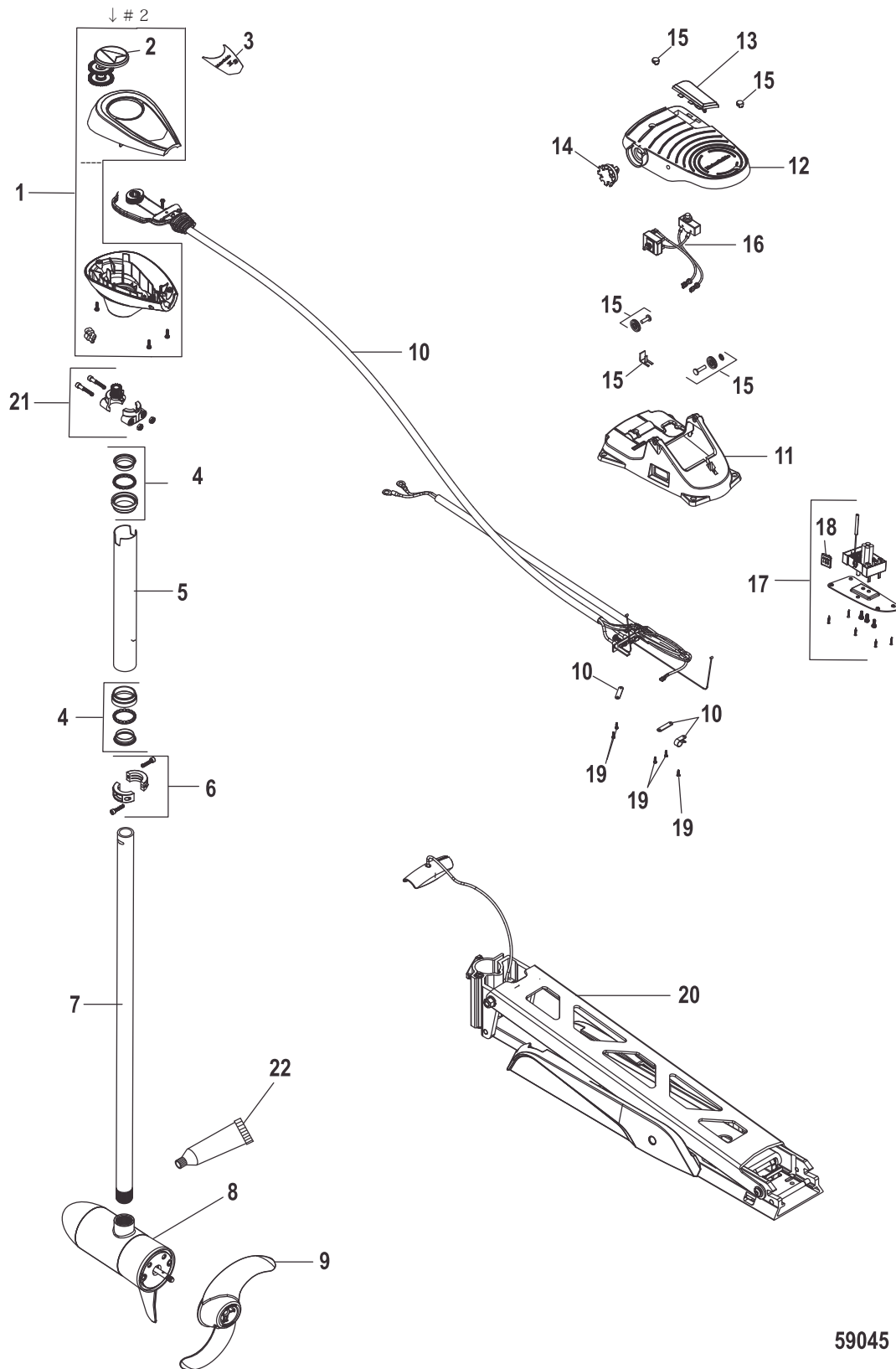


Complete Trolling Motor Foot Operated, Variable Speed



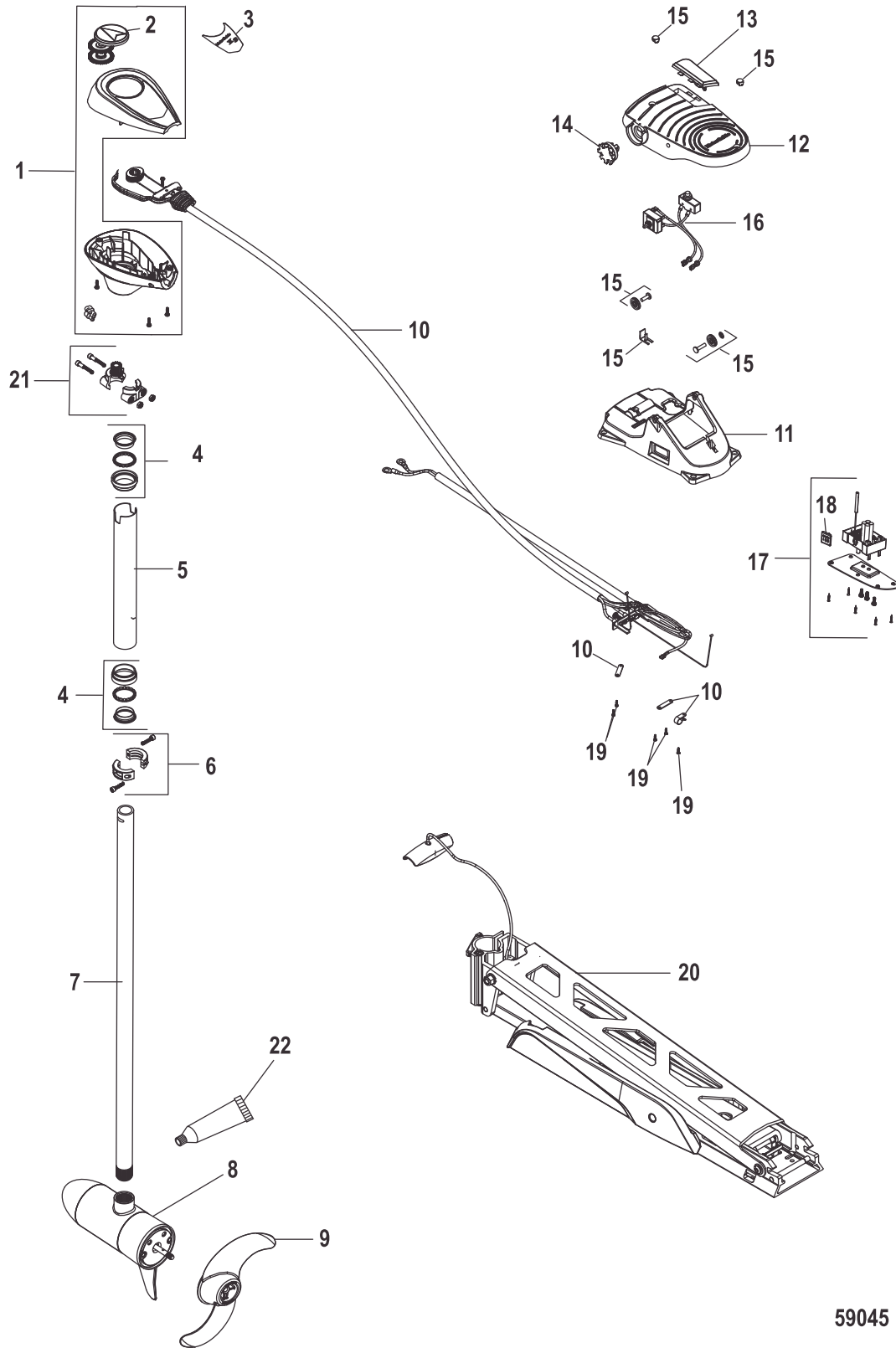
59045

## Complete Trolling Motor Foot Operated, Variable Speed

Ref #	Part Class	Part Number	Description	Comments	Qty	Note
1		8M0103990	HEAD ASSEMBLY	¥ 13500-	1	
2		8M0103989	TOP COVER INDICATOR KIT	¥ 11100-	1	
3		8M0109998	DECAL SET	¥ 3500-	1	
4		8M0098414	BEARING ASSEMBLY	¥ 15000-	2	
5		8M0089416	TUBE	¥ 5000-	1	
5		8M0110005	TUBE XL	¥ 8000-	1	
6		8M0089412	CLAMP ASSEMBLY	¥ 2000-	1	
7		8M0111093	COLUMN 36 Inch	¥ 16500-	1	
7		8M0111094	COLUMN 45 Inch	¥ 17500-	1	
7		8M0111095	COLUMN 50 Inch	¥ 18500-	1	
					1	
					1	
					1	
					1	
					1	
					1	
					1	
9		8M0028330	PROP KIT Black, Safari	¥ 5500	1	
10		8M0103991	HARNESS ASSEMBLY	¥ 15500-	1	
10	84	8M0110002	HARNESS ASSEMBLY XL	¥ 18000-	1	
10	84	8M0110001	HARNESS ASSEMBLY Sonar	¥ 23000-	1	
10	84	8M0110003	HARNESS ASSEMBLY Sonar XL	¥ 24000-	1	
					1	
					1	
11		8M0089421	PEDEL KIT	¥ 6000-	1	
					1	
13		8M0084872	BUTTON KIT	¥ 1800-	1	
					1	
15		8M0089417	HARDWARE KIT	¥ 800-	1	
16		8M0103993	HARNESS ASSEMBLY	¥ 7000-	1	
17		8M0103995	BOARD ASSEMBLY 12 Volt	¥ 40000-	1	
17		8M0103997	BOARD ASSEMBLY 24 Volt	36Vと共通 8M0103997 ↓	1	
17		8M0103997	BOARD ASSEMBLY 36 Volt	¥ 43000-	1	
					1	
19		8M0089418	SCREW KIT	¥ 400-	1	
20		8M3003299	BOW MOUNT FW Use With 59 Inch or Shorter Shaft	¥ 60000-	1	
					1	
20		8M3003314 →8M0116498へ	BOW MOUNT FW, XL Use With 60 Inch or Greater Shaft	¥ 80000-	1	

Complete Trolling Motor Foot Operated, Variable Speed

# Complete Trolling Motor Foot Operated, Variable Speed



59045

Cat.# 90-8M0114231

## Complete Trolling Motor Foot Operated, Variable Speed

Ref #	Part Class	Part Number	Description	Comments	Qty	Note
					1	
21		8M0089413	PINION ASSEMBLY	¥ 800-	1	
					1	

---

Complete Trolling Motor Foot Operated, Variable Speed